



K

KORNEGAY DESIGN
cast concrete amenities

Ribbed Trash & Ash

Commercial Receptacles

Precast concrete Trash & Ash Receptacles. Litter lid and ash insert are made of clear powder-coated spun aluminum. Metal components are fitted with security chains. 32-gallon heavy-duty plastic waste can is included in the Trash Receptacle.

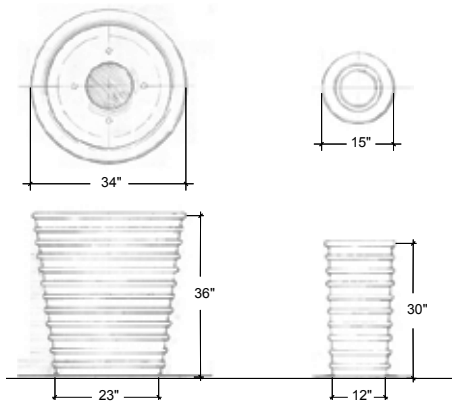
TO SPECIFY A RIBBED SERIES TRASH OR ASH RECEPTACLE:

Select the model and type of lid:

- Model RS-TR is a litter only lid.
- Model RS-TRA is a lid with the ash disposal channel.

Select Concrete Color:

- Natural Gray concrete.
- Choose integral pigment color from Davis Colors (www.daviscolors.com), call/email us for a color selector brochure.
- Custom color mixing available (please contact us).
- Optional sandblast finish.



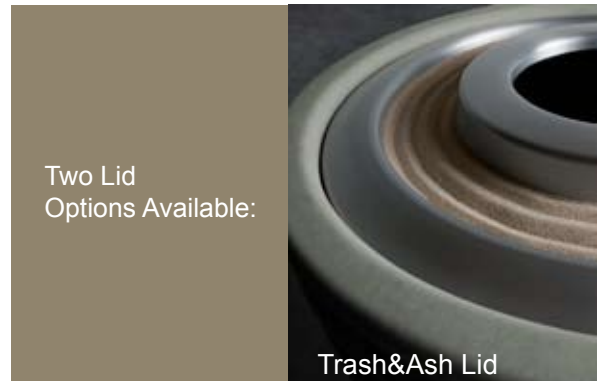
RS-TR • RS-TRA

640 lbs. approx.

RS-AR

275 lbs. approx.

Note: Compatible Ribbed Series Landscape Containers



See website to download 3-part specifications

In 2003[®], Larry Kornegay designed the Ribbed Trash & Ash Receptacle exclusively for Kornegay Design, LLC

877.252.6323 toll free 602.252.6323 local 602.252.6322 fax 212 South 18th Street, Phoenix, AZ 85034
Kornegay Design is dedicated to exceptional design & craftsmanship of site furnishings

www.kornegaydesign.com

info@kornegaydesign.com